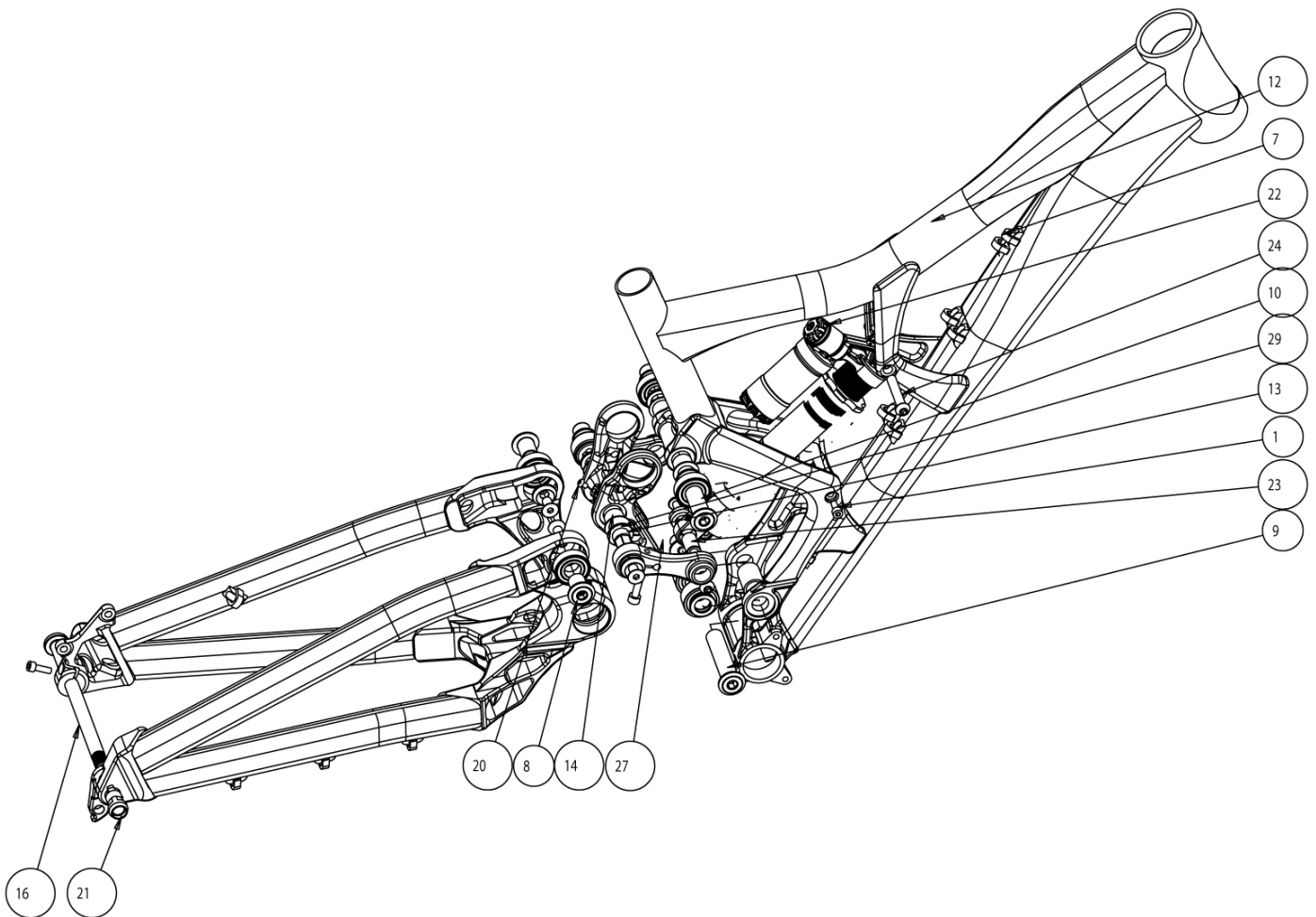


FLATLINE



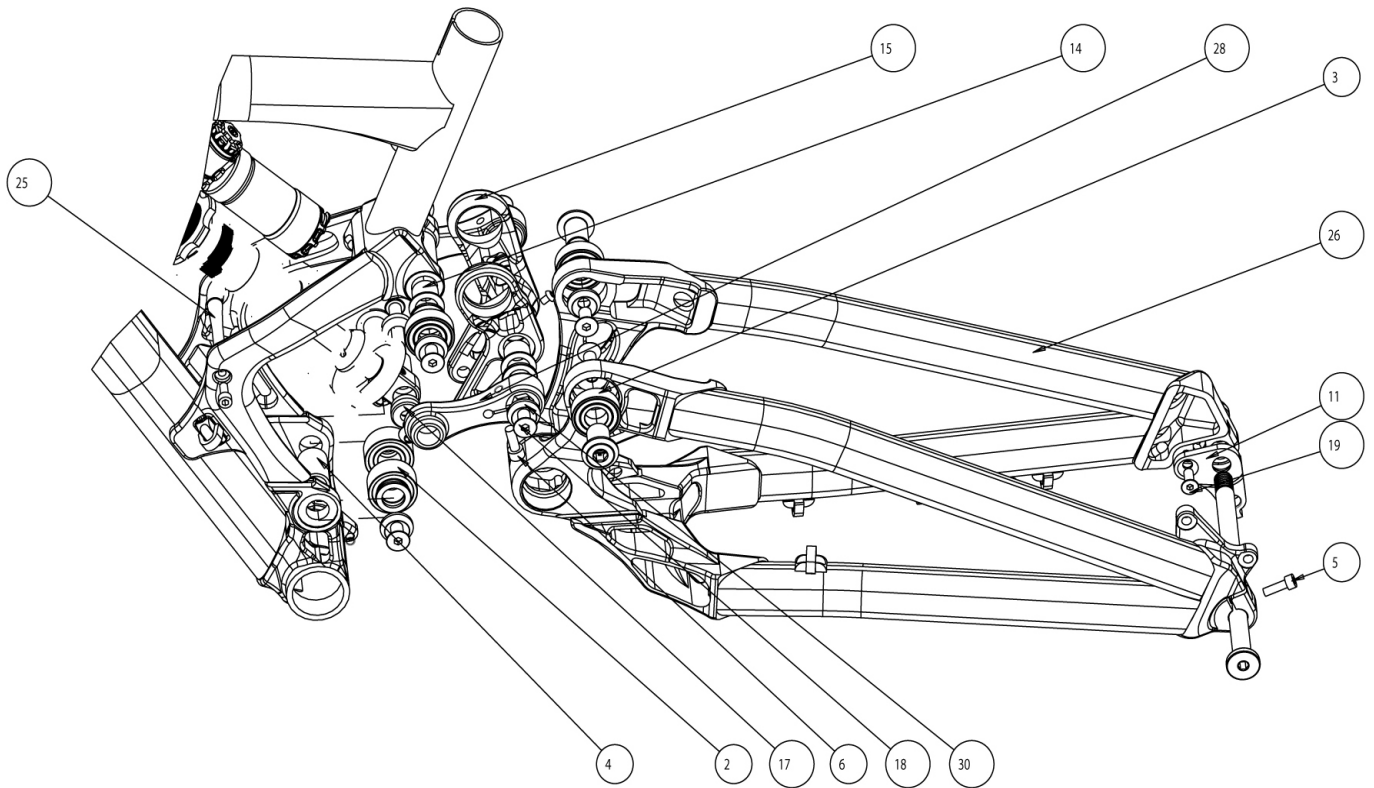
RIGHT VIEW



FLATLINE



LEFT VIEW



FLATLINE



#	QTY	PART NO.	DESCRIPTION
1	2	180443UAT	M5 X 0.8 X10MM L ALUM. CAP SCREW
2	2	181086ABI	Ball Bearings: Main Pivot, 15-32-13, 3002-2RS
3	4	181087ABI	Ball Bearings: Top Link & Tug, 15x32x9, 6002 2RS
4	1	180387UAT	Bearing Spacer, ID: 15 x 26L
5	1	180238FBY	SOCKET HEAD CAP SCREW; M5X16
6	2	180329FBY	SOCKET HEAD CAP SCREW; M6X16
8	2	180430UAT-020	FLANGE HD, THRU. BLT. M8X1.25 INT., OD15X20
9	1	180430UAT-071	FLANGE HD, THRU. BLT. M8X1.25 INT., OD15X71
10	1	180430UAT-081	FLANGE HD, THRU. BLT. M8X1.25 INT., OD15X81
11	1	180901AST	CUSTOM FLATLINE DH HANGER
13	1	180454AST	HEXAGON AXLE, 15.05MM OD
14	4	181088IGS	IGUS BUSHING, LFM-1517-17
15	1	109073	TOP LINK, 2010 WC FLATLINE
16	1	122971MRL	FLAT WORLD CUP AXLE
17	4	180312	SHOCK SPACER, REAR
18	6	180435-016	FLAT HD SOCKET CAP SCREW, M8-1.25 X 16mm
19	1	180359FBY-012	FLAT HEAD C'SUNK SOCKET SCREW, M6-1.0 X 12mm
20	1	180438AST	SOCKET HEAD CAP SCREW, M4X0.7 X 6mm
21	1	180431SH	SHIMANO NUT THREADED, M12X1.75
22	1	N/A	REAR SHOCK
23	2	111990FOX	FOX STEEL SLEEVE, 8mm BOLT X 0.501 OD
24	2	180505AIN	SLEEVE BOLT, OD:8MM x 46MM - w/M6 x 14.5MM
25	1	180428	ALU. STIFFENER ROD, RED ANO
27	1	1099023AST	TUG LINK, LEFT
28	1	1099024AST	TUG LINK, RIGHT
29	6	180287	FLAT WASHER, 15mm X 2mm THK
30	6	180338	CUSTOM M8 C'SUNK WASHER FOR FLT HD CP SCREW