

NOTES:

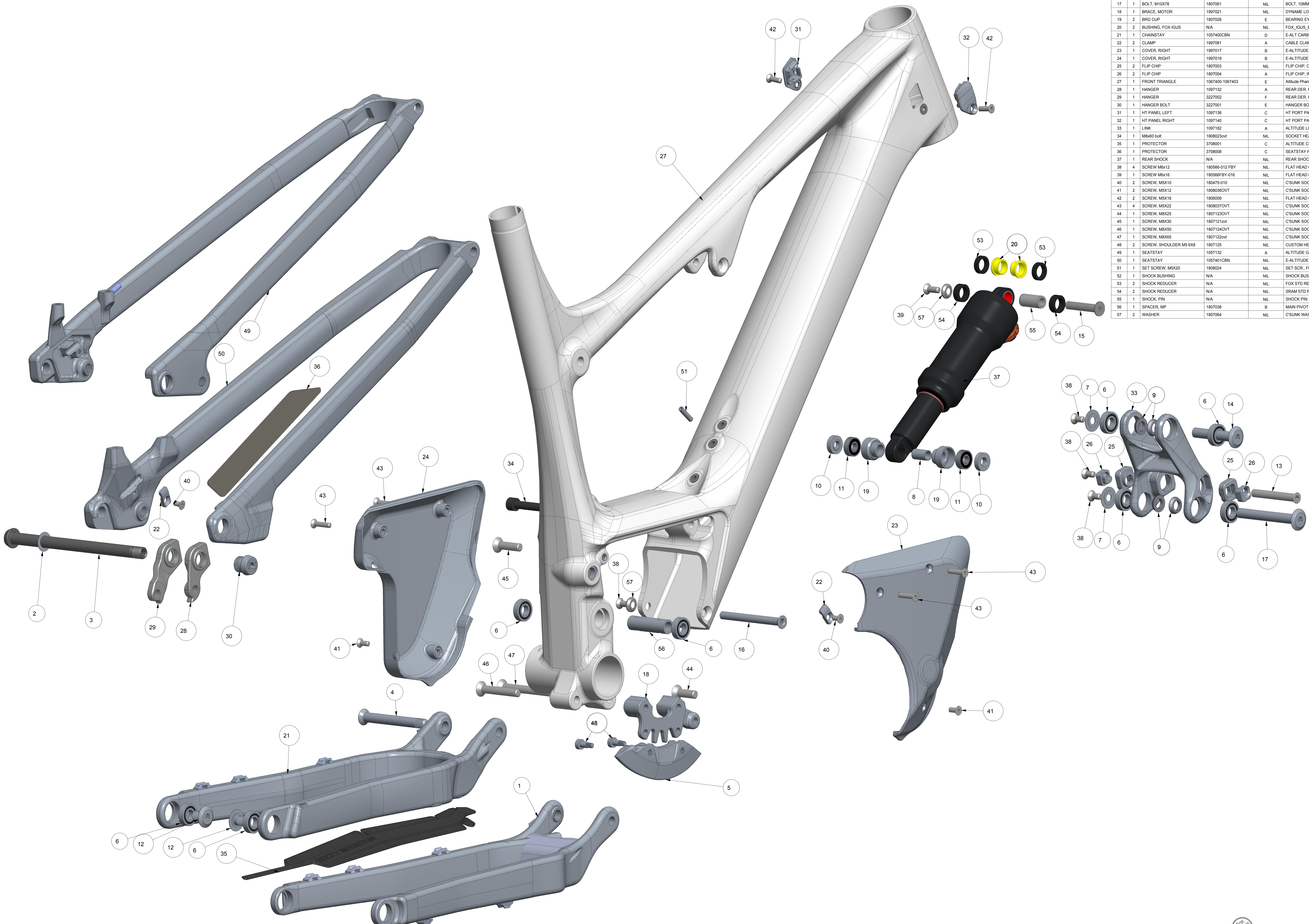
1 FOR 90 LEVEL BIKES, USE:
 CARBON CHAINSTAY PART NUMBER 1057410
 CARBON SEATSTAY PART NUMBER 1057132

FOR 70 AND 50 LEVEL BIKES, USE:
 ALUMINIUM CHAINSTAY PART NUMBER 1057400CBN
 ALUMINIUM SEATSTAY PART NUMBER 1057401CBN

2 ALL SHOCKS USE 25MM L X 8MM ID ALLOY SHOCK PIN ON FRONT EYELET WITH THE FACTORY-PROVIDED SPACERS TO SPACE SHOCK TO 25MM WIDTH

3 FOR REAR DERAILLEUR HANGER OPTIONS:
 - USE 1097132 FOR STANDARD DERAILLEUR
 - USE 3227002 FOR SHIMANO DIRECT-MOUNT DERAILLEUR

#	QTY	ITEM	PART NO.	REVISION	DESCRIPTION
1	1	ALLOY CHAIN STAY	1057410	A	2017 E-ALT CHAIN STAY WELDMENT
2	1	AXLE WASHER	3227006	B	WASHER, 12x19x0.5MM, 304 SS
3	1	AXLE, 12MMx173MM	3227009	B	2017 ELEMENT REAR AXLE 12X 173MM, HARD BLACK ANO
4	1	AXLE, MP	1907009	A	SLIP RAMP AXLE, M10X1.25, L: 84MM, AL7075-T6 HARD BLACK ANO
5	1	BASH GUARD	1907058	A	FMB BASH GUARD
6	8	BEARING	1807042	NIL	ENDURO BEARING 6000 2RS MAX TYPE, 22X10X6 SIZE
7	2	BEARING CAP	1807043	NIL	6000 BEARING CAP, AL 7075 T-6, HARD BLACK ANO
8	1	BEARING ID SLEEVE	1807028	A	BEARING EYELET SLEEVE FOR SR 19X8X8 CUP
9	4	BEARING SPACER	1807044	NIL	6000 BEARING SPACER
10	2	BEARING SPACER	1807099	C	EYELET BEARING SPACER, 5.3MM THK, FOR 40MM LINK WIDTH
11	2	BEARING, 698	1807036	NIL	ENDURO 698 LLU MAX 19X8X8
12	2	BOLT	1807046	NIL	BOLT, 10MM X 15MM, M10X1 EXT., AL 7075 T-6 HARD BLACK ANO
13	1	BOLT	1807049	C	CSUNK BOLT, 8MM X 57MM X M6 INT.
14	1	BOLT	1807050	NIL	BOLT, 10MM X 58MM, M6X1 INT., AL 7075-T6, HARD BLACK ANO
15	1	BOLT, SHK	1807062	C	SHOCK BOLT, SOCKET, OD: 9.8MM, L: 43MM
16	1	BOLT, BATTERY 81MM	1807127	NIL	E-ATB BATTERY BOLT, 8MM OD x 81mm, AL7075-T6 hard black ano
17	1	BOLT, M10X78	1807061	NIL	BOLT, 10MM X 78MM, M6X1 INT., AL 7075 T-6, HARD BLACK ANO
18	1	BRACE, MOTOR	1997021	NIL	DYNAME LOWER MOTOR BRACE AND BASH MOUNT, AL6061-T6 HARD BLACK ANO.
19	2	BRG CUP	1807028	E	BEARING EYELET FOR SR 19X8X8 BRG
20	2	BUSHING, FOX IGUS	N/A	NIL	FOX_IGUS_BUSHING
21	1	CHAINSTAY	1057400CBN	D	E-ALT CARBON CHAINSTAY
22	2	CLAMP	1997081	A	CABLE CLAMP, MS CSUNK, AL6061-T6, HARD BLACK ANO.
23	1	COVER, RIGHT	1997017	B	E-ALTITUDE FRONT TRIANGLE COVER, RIGHT
24	1	COVER, LEFT	1997019	B	E-ALTITUDE FRONT TRIANGLE COVER, LEFT
25	2	FLIP CHP	1807003	NIL	FLIP CHP, OUTSIDE, AL7075, BLACK ANODIZE
26	2	FLIP CHP	1807004	A	FLIP CHP, INSIDE, AL7075, BLACK ANODIZE
27	1	FRONT TRIANGLE	1067400-1067403	E	Altitude Phantom Power FT
28	1	HANGER	1097132	A	REAR DER. HANGER, INT. LH THREAD, STANDARD MOUNT
29	1	HANGER	3227002	F	REAR DER. HANGER, INT. LH THREAD, SHIMANO DIRECT MOUNT
30	1	HANGER BOLT	3227001	E	HANGER BOLT, EXT 16MM LH THREAD, AL6061-T6, HARD BLACK ANO.
31	1	HT PANEL, LEFT	1097136	C	HT PORT PANEL, LEFT
32	1	HT PANEL, RIGHT	1097140	C	HT PORT PANEL, RIGHT
33	1	LINK	1097182	A	ALTITUDE LINK, 85MM LONG, RIDE9, AL7075-T6, HARD BLACK ANO
34	1	M6x10 bolt	1808020vnt	NIL	SOCKET HEAD CAP SCREW, M6x10, stainless steel
35	1	PROTECTOR	3780001	C	ALTITUDE CHAINSTAY PROTECTOR
36	1	PROTECTOR	3780008	C	SEATSTAY PROTECTOR
37	1	REAR SHOCK	N/A	NIL	REAR SHOCK 210X55MM
38	4	SCREW, M6x12	180566-012 FBY	NIL	FLAT HEAD CSUNK SOCKET SCREW, M6-1.0 X 12mm, A4316 SS, 55000 080 012
39	1	SCREW, M6x16	180566FBY 016	NIL	FLAT HEAD CSUNK SOCKET SCREW, M6-1.0 X 16mm, A4316 STAINLESS STEEL
40	2	SCREW, M5x10	180475-010	NIL	CSUNK SOCKET SCREW, M5-0.8x10mm, zinc plated 10.9 steel
41	2	SCREW, M5x12	1808036OVT	NIL	CSUNK SOCKET SCREW, M5-0.8x12mm, HARD BLACK ANODIZED ALU
42	2	SCREW, M5x16	1808009	NIL	FLAT HEAD CSUNK SOCKET SCREW, M5-0.8 X 16mm, ALUMINIUM
43	4	SCREW, M5x22	1808037OVT	NIL	CSUNK SOCKET SCREW, M5-0.8x22mm, HARD BLACK ANODIZED ALU
44	1	SCREW, M8x25	1807123OVT	NIL	CSUNK SOCKET SCREW, M8-1.25x25mm, stainless steel
45	1	SCREW, M8x30	1807124OVT	NIL	CSUNK SOCKET SCREW, M8-1.25x30mm, stainless steel
46	1	SCREW, M8x60	1807124OVT	NIL	CSUNK SOCKET SCREW, M8-1.25x60mm, stainless steel
47	1	SCREW, M8x85	1807122vnt	NIL	CSUNK SOCKET SCREW, M8-1.25x85mm, stainless steel
48	2	SCREW, SHOULDER M5 X8	1807125	NIL	CUSTOM HEX SOC. HD. SHLD. SCR., 303 SS, M5 6x8
49	1	SEATSTAY	1057132	A	ALTITUDE GEN2 SEATSTAY, ALLOY
50	1	SEATSTAY	1057401CBN	NIL	E-ALTITUDE CARBON SEATSTAY
51	1	SET SCREW, M5x20	1808024	NIL	SET SCR., FLT. PT., M5 x 0.8 x 20mm, Stainless Steel 316, 07860.040.020
52	1	SHOCK BUSHING	N/A	NIL	SHOCK BUSHING, ID: 12.7mm, OD: 15mm, L: 12.7mm, STEEL
53	2	SHOCK REDUCER	N/A	NIL	FOX STD REDUCER FOR 25MM PIN
54	2	SHOCK REDUCER	N/A	NIL	SRAM STD REDUCER FOR 25MM PIN
55	1	SHOCK PIN	N/A	NIL	SHOCK PIN, ID: 8 x 25mm LONG, ALUMINIUM
56	1	SPACER, MP	1807038	B	MAIN PIVOT CENTER SPACER, ID: 10, L: 48
57	2	WASHER	1807064	NIL	CSUNK WASHER, (for M6 screw) ID: 8 x OD: 14.6 x 3.25mm THK.



A	ALLOY CHAIN STAY ADDED TO BOM, COVER SCREWS CHANGED TO ALLOY	APRIL 7, 2017	LFV
N1	TABLE REORGANIZED	DEC 20, 2016	SL
N2	DRAWING CREATED	DEC 20, 2016	SL
N3	DESCRIPTION	DATE: 04/07/2017 09:17	

THE INFORMATION CONTAINED HEREIN IS PROPRIETARY TO ROCKY MOUNTAIN BICYCLES / PROCYCLE GROUP, AND IS NOT TO BE RELEASED WITHOUT PRIOR WRITTEN APPROVAL.

ROCKY MOUNTAIN BICYCLES
 DIV. OF PROCYCLE GROUP
 1222 EAST KEITH ROAD, #100
 NORTH WOODLAND, BC, CANADA V7J 1J3
 TEL: 800-860-8808 FAX: 800-860-8875

TOLERANCES (unless noted):
 X.XX ±0.05"
 X.X ±0.1"
 X.XX ±0.05"
 X.XX ±0.05"

DRAWING TITLE: E-Altitude Frame Assembly with Hardware
 DRAWING NUMBER: [blank]
 SHEET: 1 of 1

DRAWN BY: [blank] CHECKED BY: [blank] APPROVED BY: [blank]