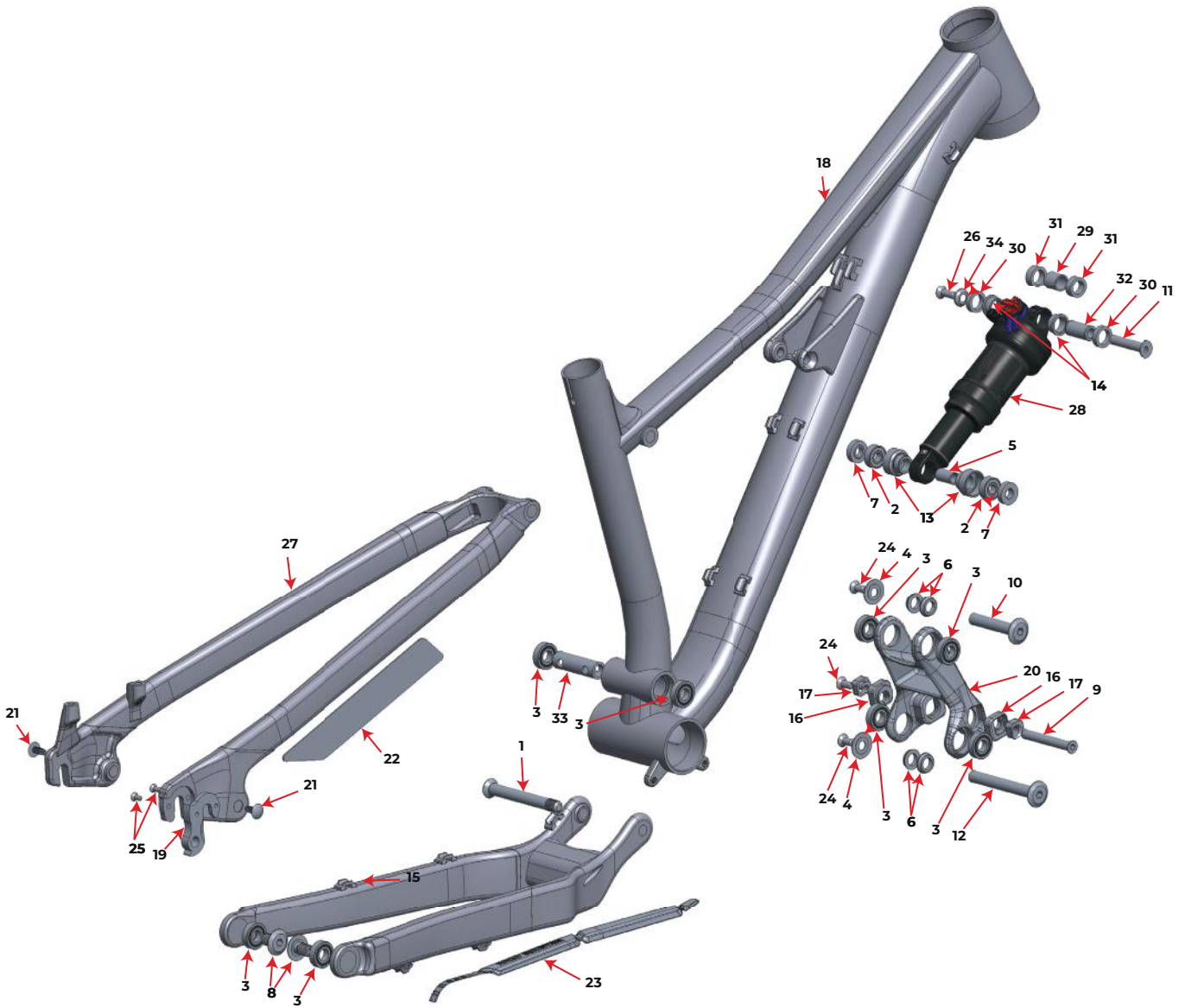


MY19 MY18 MY17

Reaper 24-26



#	QTY	ITEM	Part No Chrissports	PART NO.	REVISION	DESCRIPTION
				1819012		TBOLT LINK WITH BEARING KIT
20	1	LINK		1098056	NIL	THUNDERBOLT LINK, 85MM LONG, RIDE9, AL7075-T6, HARD BLACK ANO
3	4	BEARING		1807042	NIL	ENDURO 6900 2RS MAX, 22X10X6
				1819013		KIT QR HANGER
19	1	HANGER		1099006	NIL	DERAILLEUR HANGER, QR AXLE, 2-BOLT, JZF # YD013-050
25	2	SCREW, M4X8		1807068	NIL	C'SUNK SOCKET SCREW, M4x8mm, zinc plated 10.9 steel
				1810005		PIVOT BOLT KIT
1	1	AXLE, MP		1807029	A	MP AXLE, M10X1.25, L:84Mm, AL7075-T6 HARD BLACK ANO
4	2	BEARING CAP		1807043	NIL	6900 BEARING CAP, AL 7075 T-6, HARD BACK ANO
6	4	BEARING SPACER		1807044	NIL	6900 BEARING SPACER
8	2	BOLT		1807046	NIL	BOLT, 10MM X 15MM, M10X1 EXT., AL 7075 T-6 HARD BLACK ANO
9	1	BOLT		1807049	C	CSUNK BOLT, 8MM X 57MM X M6 INT.
10	1	BOLT		1807060	NIL	BOLT, 10MM X 54MM, M6X1 INT., AL 7075-T6, HARD BLACK ANO
12	1	BOLT, M10X78		1807061	NIL	BOLT, 10MM X 78MM, M6X1 INT., AL 7075 T-6, HARD BLACK ANO
24	3	SCREW M6x12		180566-012	NIL	FLAT HEAD C'SUNK SOCKET SCREW, M6-1.0 X 12mm, A4/316 SS, 55060.060.012
34	1	WASHER		1807064	NIL	C'SUNK WASHER: (for M6 screw) ID:6 x OD:14.6 x 3.25mm THK.
26	1	SCREW, M6X16		180566-016	NIL	FLAT HEAD C'SUNK SOCKET SCREW, M6-1.0 X 16mm, A4/316 STAINLESS STEEL
11	1	BOLT SHK		1807062	G	SHOCK BOLT, SOLID, OD:8MM, L: 41MM
33	1	SPACER, MP		1807038	B	MAIN PIVOT CENTER SPACER, ID:10, L:48
				1817017		BEARING KIT
3	8	BEARING		1807042	NIL	ENDURO 6900 2RS MAX, 22X10X6
				1819029		PROTECTION KIT
22	1	PROTECTOR		3708008	D	SEATSTAY PROTECTOR
23	1	PROTECTOR		3708035	NIL	MULTIBIKE CHAINSTAY PROTECTOR
				1818003		SHOCK BEARING EYELET KIT
2	2	BEARING		1807036	NIL	ENDURO 698 LLU MAX 19X8X6
5	1	BEARING SLEEVE		1807028	A	BEARING EYELET SLEEVE FOR SR 19X8X6 CUP
7	2	BEARING SPACER		1807099	C	EYELET BEARING SPACER, 5.3MM THK, FOR 40MM LINK WIDTH
13	2	BRG CUP		1807026	E	BEARING EYELET FOR SR 19X8X6 BRG
				1810009		RIDE 9 FLIP CHIP KIT
16	2	FLIP CHIP		1807003	NIL	FLIP CHIP, OUTSIDE, AL7075, BLACK ANODIZE.
17	2	FLIP CHIP		1807004	A	FLIP CHIP, INSIDE, AL7075, BLACK ANODIZE.
				1818006		Alloy seat stay Cap Kit for alloy frames only
21	2	PLUG		1808034	NIL	PLASTIC PLUG FOR M5 THREAD, 12MM BUTTON HEAD, BLACK PLASTIC

Sold as a kit only. Individual part not sold separately