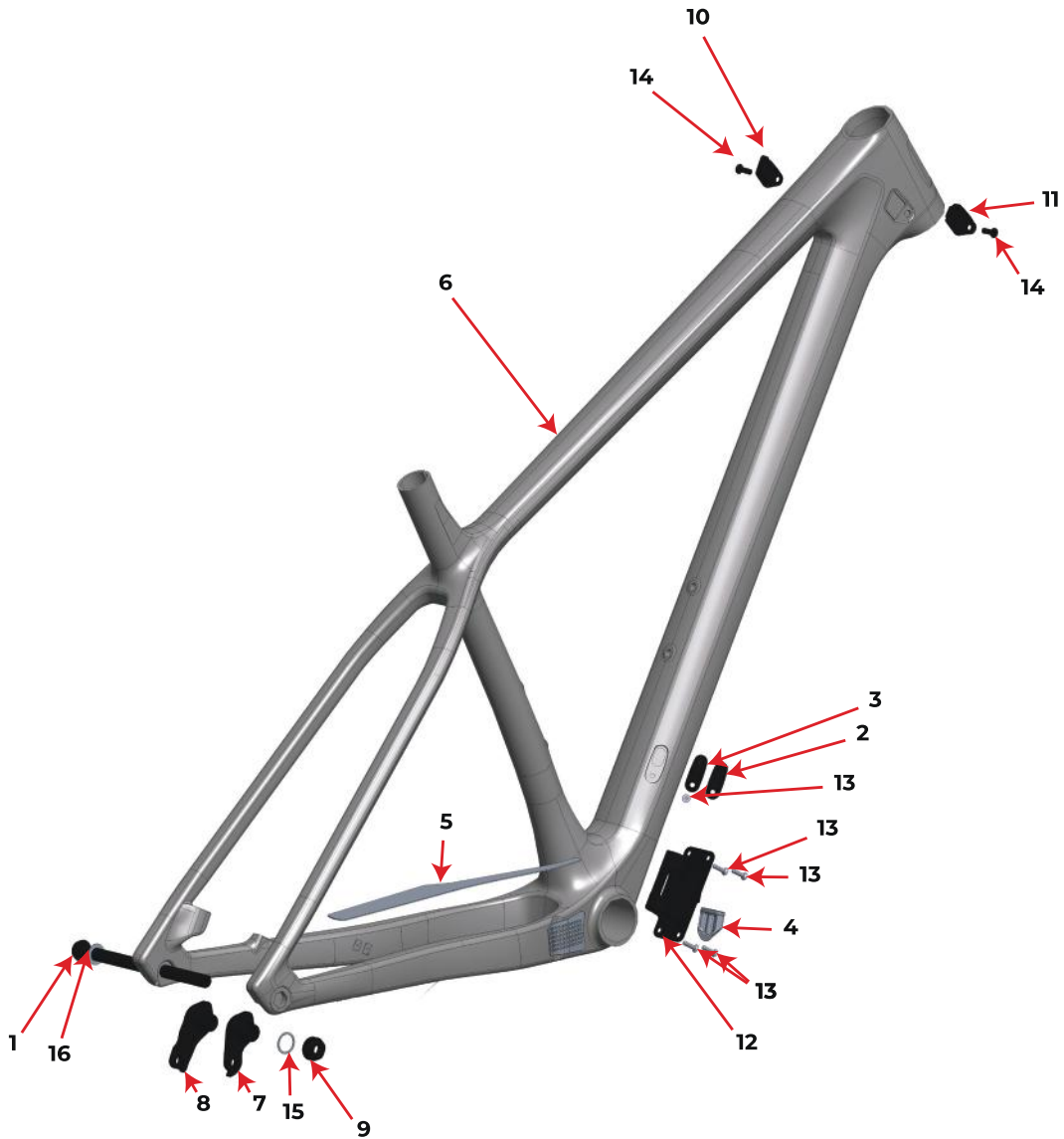


MY20 MY19 MY18

Vertex



#	QTY	ITEM	PART NO.	REVISION	DESCRIPTION
5	1	CS PROTECTOR	3708017	NIL	VERTEX CR CS PROTECTOR
			1819022		VERTEX DI2 PANEL KIT
13	4	SCREW, M4X16 ALU	1806013	NIL	C'SUNK SOCKET SCREW, M4x16mm, AL6061-T6, HARD BLACK ANO
12	1	PORT COVER	1097023	G	SHIM. DI2 PORT SLYR. COVER PLATE, PLASTIC
4	1	CABLE PLUG, RBR.	1095059	NIL	CABLE 3-HOLE THROUGH PLUG, RUBBER
			1819023		VERTEX FRONT DERAILLEUR KIT
2	1	CABLE COVER	1096055	NIL	CABLE PORT PLASTIC COVER, FD EXIT PORT, FOR OVAL SLOT
3	1	CABLE GUIDE	1808025	NIL	FD CABLE GUIDE, BOLT-ON
13	1	SCREW, M4X16 ALU	1806013	NIL	C'SUNK SOCKET SCREW, M4x16mm, AL6061-T6, HARD BLACK ANO
			1818012		HANGER KIT SHIMANO DIRECT MOUNT
8	1	HANGER	1099041	NIL	REAR DER. HANGER, EXT THREAD, SHIMANO DIRECT MOUNT
9	1	HANGER NUT	1099033	NIL	HANGER NUT, M16X1, 8MM HEX
15	1	WASHER	1808029	NIL	WASHER, 16x20x0.5MM, 304 SS
			1818013		KIT STANDARD HANGER
7	1	HANGER	1099031	A	REAR DER. HANGER, EXT THREAD, STD MOUNT
9	1	HANGER NUT	1099033	NIL	HANGER NUT, M16X1, 8MM HEX
15	1	WASHER	1808029	NIL	WASHER, 16x20x0.5MM, 304 SS
			1817011		AXLE KIT BOOST
1	1	AXLE, REAR	3227009	C	REAR AXLE 12X 173MM, HARD BLACK ANO
16	1	WASHER	3227006	B	WASHER, 12x19x0.5MM, 304 SS
			1817023		HEAD TUBE PANEL KIT
10	1	HT PANEL LEFT	1097136	C	HT PORT PANEL, LEFT
11	1	HT PANEL RIGHT	1097140	C	HT PORT PANEL, RIGHT
14	2	SCREW, M5X16	1806009	NIL	FLAT HEAD C'SUNK SOCKET SCREW, M5-0.8 X 16mm, ALUMINIUM

Sold as a kit only. Individual part not sold separately